

24

FULL HD RESOLUTION  
1920x1080@144Hz



 OVERSTEEL

**KRYPTO**

GAMING MONITOR SERIES

USER MANUAL



 **OVERSTEEL**

# KRYPTO

GAMING MONITOR SERIES

24 FULL HD RESOLUTION  
1920x1080@144Hz

**HDMI**<sup>™</sup>  
HIGH-DEFINITION MULTIMEDIA INTERFACE

The terms HDMI and HDMI High-Definition Multimedia Interface, and the HDMI Logo are trademarks or registered trademarks of HDMI Licensing Administrator, Inc. in the United States and other countries.

## Important Safety Precautions

1. Please read all the instructions carefully before using this product.
2. BE SURE TO unplug the power cord when cleaning LCD. Never clean it with liquid detergent or spraying detergent, but wipe it with wet soft cloth. If it is still not clean, please use special detergent for LCD.
3. DO NOT use accessories not authorized by the manufacturer, other wise they may incur danger.
4. When disconnecting the power cord of display or power adapter, always remember to hold the plug instead of pulling the wire to unplug the power cord.
5. Keep the display away from water sources such as bath tub, washbasin, sink or washing machine. DO NOT place the display on wet floor or near a swimming pool, or press LCD surface with fingers or hard objects.
6. The grooves and openings on the back and bottom of the shell are for ventilation purpose and also for guaranteeing the reliability of the elements and preventing them from overheating; in order to prevent the vents from blocking; DO NOT place the display on bed, sofa, carpet or other similar surfaces; DO NOT place the display near to or on heat radiator or heater; DO NOT put the display into embedded device, unless it is provided with adequate ventilating equipment.
7. Only the type of power source indicated on the nameplate applies to this display. If you have any questions on the type of power source you use, please consult the dealer of the display or local administration of power supply.
8. For safety, the display or the power adapter is equipped with three-pin plug power cord. The third pin of this plug is for grounding, and only applicable to socket that is correctly grounded. In case that your socket is not available for the plug, please contact electrician to replace the socket.
9. Since there is high voltage or other risks when the shell is opened or moved, please DO NOT repair the display by yourself, but request qualified maintenance staff to carry out.
10. In one of the following cases, please unplug the display or the power adapter and ask qualified maintenance staff for help:
  - a. The power cord or the plug is impaired or worn.
  - b. The display falls off or the shell is damaged.
  - c. The display is obviously abnormal.
11. Please place the display in a cool, dry and well ventilated place.
12. Store the display in temperature range of -10°C~60°C, beyond which the display may be damaged permanently.

# 1. Product Description

## 1.1 General

As a high-performance smart multi-frequency scanning display, it adopts active-matrix TFT-LED backlight liquid screen and is controlled with MCU digital technology. With compact and thin appearance and build-in power supply, it is suitable for narrow work space.

## 1.2 Packing list

Please check the following items in the packing case before installation:

- One LCD display (including the base)
- One DP cord, one power cord, one AC adaptor
- One user manual, One warranty card

If any of above items is missing, please contact with the dealer.

Attention: Accessories shall be subject to the real configuration. Please keep all packing materials well for product transport in the future.

# 2. Installation and Connection

## 2.1 Display installation

Installation instructions

This machine should be installed adjacent to an easily pluggable AC power socket.

For the sake of safety, we suggest that suitable wall-mounted bracket or base be used.

In order to prevent injury, this machine shall be placed on a stable and level surface or fixed on a firm wall.

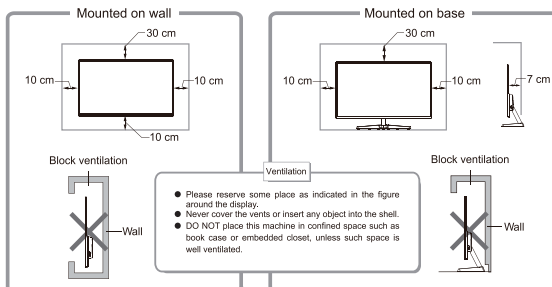
For wall-mounting, please ask a professional to do so. Improper installation may cause instability of this machine.

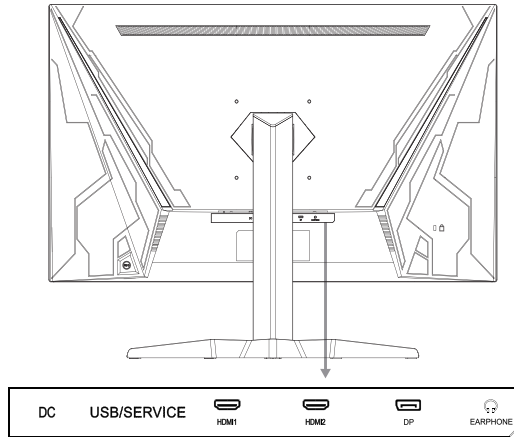
DO NOT place this machine in places with mechanical vibration.

DO NOT place this machine in places where insects are accessible.

DO NOT install this machine directly opposite to air-conditioner, otherwise its inner panel may bedewed and cause failure.

DO NOT place this machine in places with strong electromagnetic field, otherwise it may be interfered by the electromagnetic wave and get damaged.





### 2.2 Signal line connection

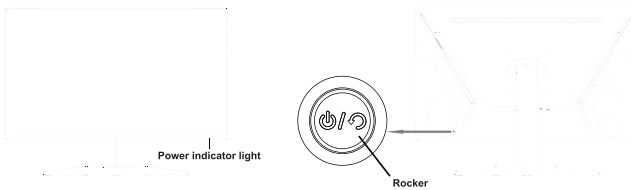
Connect the signal line to output interfaces signal of DP/HDMI signals of PC, and then connect the other end of the signal line to the corresponding signal input port of the display.

### 2.3 Audio output

This machine supports earphone and external speaker audio output.

## 3. Operation of Display

The OSD control buttons are shown as the figure. Models of the same product series are only different in button position and panel pattern, please refer to the practical model.



### 3.1 Power indicator light

When the display is working normally, the blue indicator light is on; when it is in the energy saving state, the indicator light blinks with red color; when the signals are sent again in the energy saving state, the machine will return to normal work. As the display is still powered in the standby state, for the sake of safety, the power cord should be unplugged when the display is not used.

### 3.2 Introduction to rocker functions

The Rocker button is a comprehensive button that supports up, down, left, and right directions in one button. You can directly enter the shortcut menu in different directions, short press the middle to enter the main menu, and press and hold for 3 seconds to turn the screen on / off.



	Initial state	Enter the function menu
Rocker Up	Signal source input	Move up/Adjust value
Rocker Down	Volume adjustment shortcut key	Move down/Adjust value
Rocker Left	Game plus shortcut key	Return to previous menu
Rocker Right	Preset shortcut key	Enter/Confirm
Press Rocker	Short press to start/display menu, press and hold for 3s to turn off the machine	Confirm/Press and hold for 3s to turn off the machine

### 3.3 Safety protection

When the video signals of PC exceeds the frequency range of the display, the horizontal and field synchronizing signals will be shut down to protect the display. Then, you have to set the PC output frequency to an acceptable range so as to make the display work normally.

## 4. Basic Troubleshooting

Phenomenon	Troubleshooting
<b>Light out/power indicator light is off</b>	Check whether the display and the socket are well connected to power, and whether the display is in the shutdown mode.
<b>Image blurring, over-large, over-small, etc.</b>	Enter the menu "Image Setting" and select "Auto Image Adjust" to automatically adjust the display.
<b>Image over dark</b>	Enter the menu "Brightness and Contrast" to adjust the brightness and contrast of the display.
<b>Display over heat</b>	Leave at least 5cm of distance for ventilation around the display and do not place articles on the display.
<b>Dark/ light spots when powering on</b>	This is a normal phenomenon. It is due to the backlight illuminates unevenly at the initial phase of powering on caused by temperature difference. The backlight can illuminate normally after 20 minutes, and then the dark/light spots will be corrected.
<b>Image distortion, blinking, shaking</b>	Check computer setting, select the correct resolution and re-adjust the refresh frequency.
<b>Power off noise</b>	It is a normal phenomenon caused by display discharging in the process of powering off.



## 5. Technical Specifications of Product

<b>Panel size</b>	23.8"
<b>Optimal working resolution</b>	1920x1080@144Hz
<b>Power input</b>	DC 12V/3A
<b>Blue-light filtering</b>	Support
<b>Flicker-free</b>	Support
<b>Requirements for working environment</b>	
Barometric pressure Working temperature and humidity Warehousing temperature and humidity	86kpa~104kpa 0°C~40°C 20%~85% -10°C~60°C 10%~90%
<b>Packing size (L * W * T) and weight</b>	
Unpacked size (L * W * T) (with base) Packing size (L * W * T) Net weight Gross weight	540.6*416.0*195.0mm 620*115*475mm 2.7 kg 4 kg

### Power supply management system

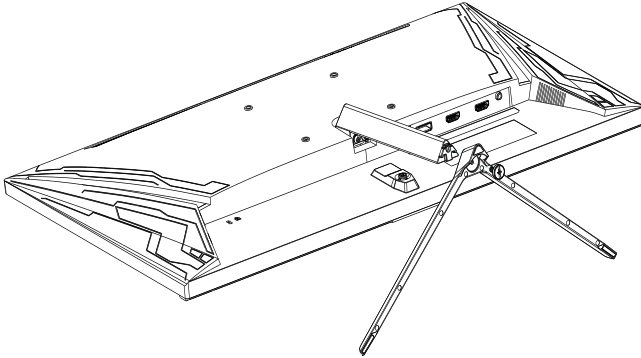
<b>Mode</b>	Power consumption
<b>Normal working</b>	≤36W
<b>Standby</b>	≤0.5W

### Remarks

All technical specifications in this manual and external packages are subject to change without further notice. In case that there is subtle difference between this manual and practical operation, please follow practical operation.

## 6. Instruction of Base Installation

Take out the base, insert the base into the stand, and lock one M4×6mm, H=12.5mm hand screw.



### NOTE

Going through aforesaid steps adversely can remove the base.  
Some of the contents in this manual may differ slightly from the final product.





[oversteelgaming.com](http://oversteelgaming.com)